



FP-70P190-D

Universal Bypass Filter Series FP® for Liquid Filtration

Versions FP-70P200-D, FP-70P190-D, FP-200P190-D

Special Features

- **Liquid filtration in a settling area or with self-cleaning effect through bypass flow possible**
- **Coarse mesh filter element made of PP**
- **Filter head made of PVDF**
- **Filter element condition is visible from outside through the glass filter body**
- **With wall-mounting bracket**

Application

The M&C universal bypass filters are mainly used in liquid analysis for the filtration of small sample quantities from a liquid flow. Two different filtration methods are available:

In order to obtain the desired self-cleaning effect, the bypass filters FP-70(200)P190-D should be operated with a minimum bypass flow of 300 NI/h.

1. Filter Type FP-70P200-D:

Filtration of a liquid flow in a settling area.

2. Filter Type FP-70(200)P190-D:

Filtration of a liquid flow with self-cleaning effect through a bypass flow with fast flow rate via the active filter element surface.

Description

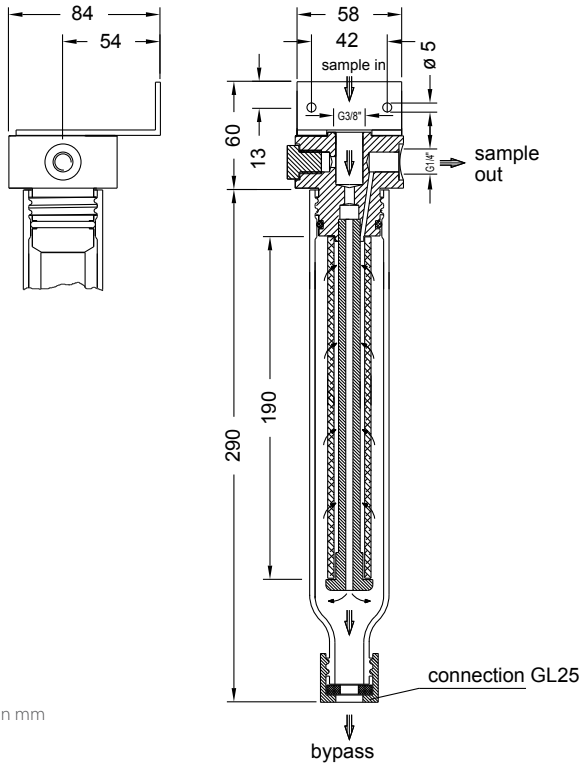
The basic construction of the bypass filter corresponds to the line of universal filters which are used for gas filtration. The coarse mesh filter element is supplied with a pore grade of 70 or 200 µm and is manufactured out of PP including the supporting pillar. The filter element is screwed into the filter head with the filter element holder.

Through the glass filter body, the condition of the filter element is visible from the outside at any time without dismantling the filter. For changing the filter elements, no tools are necessary.

The optimum positioning of the o-ring guarantees a safe sealing of the filter body to the filter head. The sample outlet can be rotated 180° at the wall-mounting bracket so that during installation, flexible handling is possible according to different local conditions.

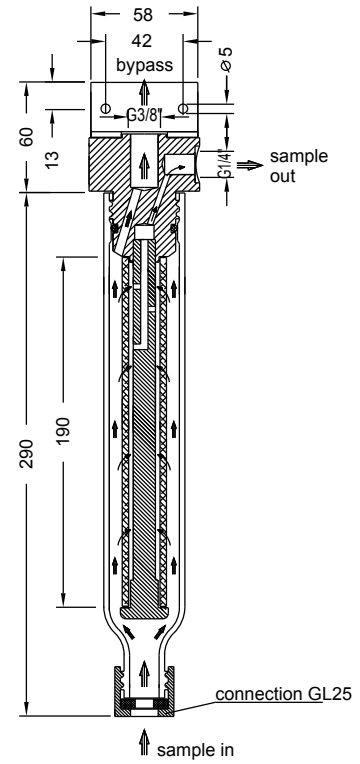
The sample connections are located in the filter head and in the lower section of the filter glass. Corresponding tube connectors and GL 25 adaptors in DN 4/6, 6/8, 8/10 or 10/12 are optionally available.

Filter FP-70P200-D
Filtration in a settling area

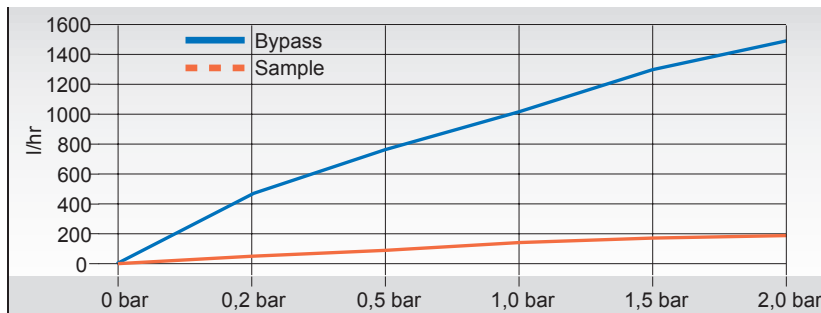


Dimensions in mm

Filter FP-70-P190-D/FP200P190-D
Filtration with self-cleaning effect through bypass flow



Flow rate in relation to inlet pressure



Technical Data

Liquid bypass filter series FP®	FP-70P200-D	FP-70P190-D	FP-200P190-D
Part No.	02F1400	02F1440	02F1450
Filtration in a settling area	Yes	No	
Filtration with self-cleaning-effect	No	Yes	
Filter element porosity	70 µm		200 µm
Bypass connections	G 3/8" female DIN ISO 228/1* and GL25-12		GL25-12 and G3/8" female DIN ISO 228/1*
Sample connection	G 1/4" female DIN ISO 228/1*		
Max. pressure at 20 °C [68 °F]	Max. 2 bar abs. or max. 5 bar abs. with GL connecting adapter		
Bypass flow max.	1500 NI/h		
Sample max.	180 NI/h		
Sample temperature max.	80 °C [176 °F]		
Ambient temperature max.	80 °C [176 °F]		
Filter surface	180 cm²		
Volume	100 ml		
Weight	Approx. 650 g [≈ 1.4 lbs]		
Method of mounting	Wall-mounting		
Material of sample-contacting parts	PVDF, PP, glass, FKM		

* The dimensions and designation of the screw-in threads correspond to the respective applicable standard. The tolerances of the thread standards are matched to metal threads and cannot be applied to plastic threads.
Please note: NI/h and NI/min refer to the German standard DIN 1343 and are based on these standard conditions: 0 °C [32 °F], 1013 mbar.